



CRT[®] ALPHA



MOBILE CB TRANSCEIVER AM- FM CITIZEN BAND EUROPEAN MULTI-NORMS

12/ 24V

OWNER'S MANUAL



CRT[®] and **SUPERSTAR[®]** are registered and protected brands.
English owner's manual Copyright CRT France 2021



SYMBOLS DESCRIPTION

Please carefully read the instructions	
Information on recycling , not throwing your material in the trash at the end of life, bring it to special area to be recycling	
DC using	
Keep dry	
Shield symbol	
CE conformity symbol	
Warning	
Restrictions	

STORAGE , TRANSPORT, USING

Storage : Classe 1 -30/85% (°humidity)

Transport :- 30/85% (°humidity)

Operating temperature -30 à + 50°

Using cycle TX 10%/RX 90%

CONTENTS

Symbols Description	PAGE
Warning before use – Precautions	1
Know about this radio – Microphone connection	2-3
LCD – Functions and features	4
How to use this radio	5
Power on/off this radio/Volume control/Channel control/SQ/AQ	6
AM-FM/EMG/Scan function	7
Vox function/Talkback level/Norms control	8
Install External speaker/Menu operations	9-10
Band norme setting/Emergency channel Setting	11
Resume factory default	12
CTCSS/DCS Codes	13
European restrictions	14-15
Specifications	16
Frequencies table	17
Supplied Accessories	18
Mobile installation/Power supply connection	19
Antenna installation/Basic operation/Ajustment of SWR	20-21
Conditions of guarantee/Procedure on returning to the aftersales service CRT	22
Declaration of conformity	23



Warned before use

This transceiver corresponds to the requirements of European directive RED 2014/53/EU documents n° 62368 -1, EN 301 489-1/ -13, EN 300 433, EN 62311.

Thank you for choosing this CRT vehicle transceiver CRT always provides high quality products. Though friendly design for user, this transceiver is technically complicated and some features may be new to you. Consider this manual to be a personal tutorial from the designers, allow the manual to guide you through the learning process now, then act as a reference in the coming years.

Precautions

- Please observe the following precautions to prevent fire, personal injury, or transceiver damage.
- Do not attempt to configure your transceiver while driving, it is dangerous.
- This transceiver is designed for a 13-24V DC power supply.
- Do not place the transceiver in excessively dusty, humid or wet areas, nor unstable surfaces.
- Do not connect the antenna while transmission, risk of burn or electric shock.
- Please keep it away from interferential devices (such as TV, generator etc.) devices (such as TV, generator etc.)
- For those fitted with pacemakers are advised to move away from the antenna during transmission, mainly in high power, and especially do not touch it.
- Never allow metal objects or son electrical contact with the part or internal electrical connection to the risk of electric shock.
- Avoid exposing the transceiver to temperatures below -30 ° C. and above +60 ° C, the temperature of the dashboard inside a vehicle can sometimes exceed 80 ° C, which can damage irreparable damage to your machine in case of prolonged exposure, Not exposed to prolonged direct sunlight or place it near heaters.



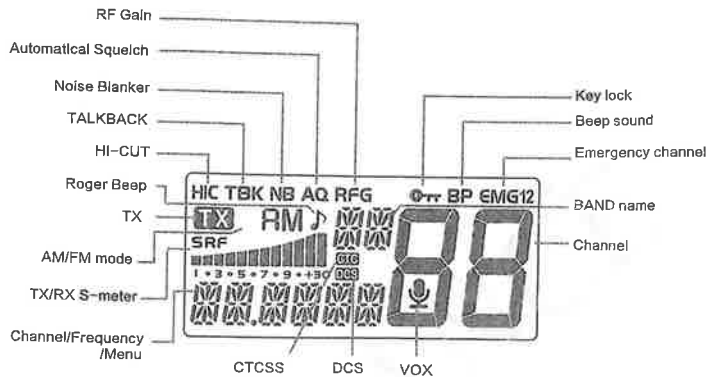
- ⚠ Do not place anything on top of the apparatus that would interfere with cooling.
- ⚠ Check that your battery is sufficiently charged to avoid rapidly exhausting its resources.
- ⚠ It is **important** to turn off your device before starting the vehicle to avoid damage caused by spikes in the ignition.
- ⚠ When replacing the fuse, you must use a fuse 5A 250V type F in no case a higher value!, Otherwise a fire hazard.
- ⚠ If an **abnormal odor** or smoke is detected coming from the transceiver, turn OFF the power **immediately**. Contact an CRT service station or your dealer.
- ⚠ Do not transmit with high output power for extended periods: the transceiver may overheat.
- ⚠ Keep out from children.

Attention :

- Before using your transceiver please connect an antenna on the connector PL on back side then check the SWR before emitting. A too important SWR can entail the destruction of the transistors of power which are not flatware by the guarantee



2. LCD

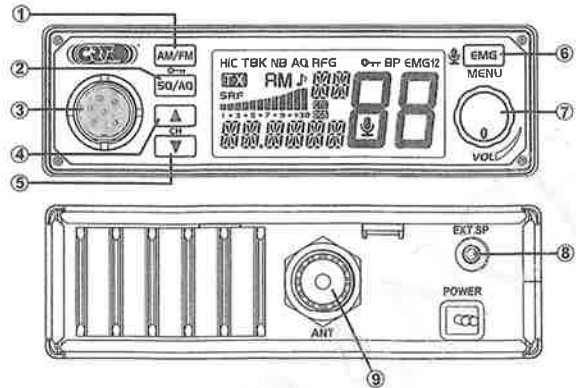


FUNCTIONS AND FEATURES

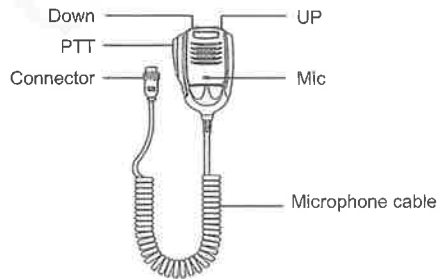
- AM : MODE AM/FM
- VOX FUNCTIONS (TRANSMIT WITHOUT PRESS PTT) (in Vox function, the squelch must be always engaged)
- AQ : SQ,ASQ FUNCTION
- RFG : RF GAIN FUNCTION – MENU : RFGAIN
- ROGER BEEP – MENU : ROGBP
- NB : NB FUNCTION
- BP : BEEP SOUND – MENU : KEYBP
- HIC : HI - CUT FUNCTION – MENU : HI.CUT
- EMG : EMG CALL – MENU : EMG1 and EMG2
- KEY LOCK FUNCTION
- CTCSS/DCS CODE : MENU : CdTSET
- TBK : TALBACK – MENU : TALBAK
- TX : INDICATES TRANSMISSION
- SRF : TX/RX S - METER
- CHANNEL DISPLAY
- Channel/Frequency/Menu
- LCD with seven background colors and 6 brightness levels (Menu)
- Multi frequency norm
- Scan function – Menu : SCM
- ANL/NB function – Menu : ANL/NB
- TOT function – Menu : TOTSET
- Microphone sensivity – Menu : MISET
- Microphone type – Menu : MICTP
- Reset – Menu : RESET
- Automatic 12/24 V switch



1. KNOW ABOUT THIS RADIO



1	Mode/Keypad lock
2	Squelch control, SQ, ASQ switch key
3	Microphone Jack
4	Channel up selector
5	Channel down selector
6	Emergency channel
7	Power On/Off Volume control
8	External speaker Jack
9	Antenna Jack



- PIN 1 Modulation
- PIN 2 Speaker
- PIN 3 PTT
- PIN 4 Up/Down
- PIN 5 Ground
- PIN 6 +12 Volt



3. HOW TO USE THIS RADIO

3.1 Power On/Off the Radio

- (1) Turn VOL switch clockwise to power on the radio, the LCD displays the Norms and then displays channel number.
- (2) Turn VOL switch anti-clockwise, until hear Ka Ta, the radio is powered off.

3.2 Volume Control

Turn clockwise to increase volume, anti-clockwise to decrease volume.

3.3 Channel Control

- (1) Short press [UP]/[DN] key to change channel by one step.
- (2) Hold [UP]/[DN] can fast changed channel.

3.4 [SQ/AQ]

※ **Squelch level Control (short press)**

- (1) Short press [SQ/AQ], until LCD displays "SQLSET 00", "00" stands for SQ/AQ level, the bigger value stands for high squelch level.
- (2) Short press microphone [UP] or [DN] to change SQ/AQ level.
- (3) Long press microphone [UP] or [DN] can fast change SQ/AQ level.
- (4) Short press [SQ/AQ] or wait for 10 seconds to store and exit.

Note: The higher SQ level selected, the stronger signal required to open speaker and hear the calling.

※ **ASQ Control (long press)**

- (1) Long press [SQ], until LCD displays "AQ", the ASQ function turned on.
- (2) Short press [SQ], until LCD displays "ASQSET 00", "00" stands for ASQ level, the bigger value stands for high squelch level.
- (3) Short press [UP]/[DN] to change ASQ level.
- (4) Hold [UP]/[DN] can fast change ASQ level.
- (5) Short press [SQ] or wait for 10 seconds to store and exit.
- (6) Long press [SQ] key again to turn on SQL function.

Note: The higher ASQ level selected, the stronger signal required to open speaker and hear the calling.



3.5 AM/FM

*Mode Control (short press)

- (1) Short press **[AM/FM]**, key to switch between **AM/FM** mode.
- (2) The LCD displays the selected mode.

*Keypad Lock (long press)

- (1) Long press **[AM/FM]** key for over 2 seconds to lock the keys, LCD displays **PTT**.
- (2) Long press **[AM/FM]** key for over 2 seconds again to unlock the keys **PTT** disappears from LCD.

Note: In lock Mode all keys except PTT is valid.

3.6 EMG

*Emergency Channel (short press)

- (1) First press **[EMG]**, key to choose the first programmed emergency channel, LCD displays **EMG1**.
- (2) Second press **[EMG]**, key to choose the second programmed emergency channel.
- (3) Third press **[EMG]**, key to return to last normal channel, LCD displays **EMG2**.

Note: The default emergency channel are channel 9 and channel 19. See menus Emergency Channel Set page 11 for the emergency channel configuration.

*Functions (long press)

Long press key to enter in menu and set different function.

3.7 Scan Function

- (1) Hold **[UP]**/**[DN]** for over 5 seconds, when you hear **/di di/**, scan started.
- (2) Short press **[UP]**/**[DN]** key to change scan direction.
- (3) Short press **[AM]/[FM]** to change mode, short press **EMG** or **[PTT]** to exit scan.



3.11 Install External Speaker

Choose a 8Ω external speaker with 3.5 mm mono connector.

3.12 Menu Operations

- (1) Long press **[EMG]** key to enter menu list.
- (2) Short press microphone **[UP]** or **[DN]** or **[▲]** or **[▼]** to choose menu to be.
- (3) Short press **[EMG]** key to enter function setting parameter of the chosen function, the parameter blinks on LCD.
- (4) Short press microphone **[UP]** or **[DN]** or **[▲]** or **[▼]** to choose wanted setting.
- (5) Short press **[EMG]** key to validate the mode and exit setting.
- (6) Long press **[EMG]** key or wait 10 seconds to store exit MENU.

NO.	LCD display	Function detail	Setting details
1	CATSET	CTCSS/DCS encode/decode	oF : CTCSS/DCS is OFF; CT: 67.0Hz~250.3Hz; DT: D023N-D754N; Note: This function is optional.
2	KEYBP	Beep sound	oN : turn on beep sound oF : turn off beep sound Default: oN
3	SCM	Scan type setting	Sq: squelch scan tl: time scan Default: oN
4	HI-CUT	HI-CUT setting	oF : turn off HI-CUT function oN : turn on HI-CUT function Default: oF
5	MICSET	Microphone gain	1~9, Total 9 levels Default: 6
6	MIC TP	Microphone type	EL: Electronic dy: Dynamic Default: EL Note: Speak into microphone and watch the S-meter to choose wanted mic gain.
7	VOX 1	VOX Sensitivity	1~9: total 9 levels Default: 3



3.8 VOX function

The VOX function allows transmitting by speaking into the original microphone without pressing the PTT switch.

Press **[PTT]** + **[EMG]** key to activate VOX function, LCD displays microphone icon, and then press **[PTT]** + **[EMG]** key to disable VOX function. The microphone icon disappeared.

Note: When turn on VOX, the mic icon flashes.

3.9 Talkback Level

This function allows you to adjust the volume of your walkie-talkie.

- (1) Start the intercom function (see "intercom" on page 8).
- (2) Hold down the PTT switch, then the **[up]** key increases or the **[down]** key decreases the Talkback Level
- (3) Release PTT switch and save Talkback Level.

3.10 Norms Control

- (1) Hold **[AM/FM]** to power on radio, until LCD displays the norms.
- (2) Short press **[▲]** or **[▼]** or microphone **[UP]**/**[DN]**.
- (3) Power off and power on again.

MODE	FM	AM	--
EU	40 Ch (4W)	40 Ch (4W)	BE,BG,CH,CY,DK,EE, ES,FI, FR,GB,EL,IE,IS,IT,LT,L U,LV,NO,PT,RO,SE
PL	-5 KHz 40 Ch (4W)	-5 KHz 40 Ch (4W)	PL
DE	80 Ch (4W)	40 Ch (4W)	DE
CE	40 Ch (4W)	-	AT,CZ,HU,MT,SI,SK
U	CEPT 40 Ch +ENG 40 Ch (4W)	-	GB
IN	27 Ch (4W)	27 Ch (4W)	IN
I2	36 Ch (4W)	36 Ch (4W)	IT



NO.	LCD display	Function detail	Setting details
8	VOX T	VOX Time	1~9: Total 9 levels Default: 4
9	TALKBK	Talkback level control	oF : 1~9 Default: oF
10	ANL/NB	Noise blanker	oF : turn off ANL/NB function oN : turn on ANL/NB function Default: oF
11	RF GAIN	RF gain level control	Level AU 03,06,09~48 Default: oF Note: If the AUTO RFG function is on, the radio will turn on the automatic RFG function.
12	RGBBP	RB sound setting	oF : 1-5 oF : turn off RB sound function. Default: oF
13	COLOR	Backlight color setting	OR: Orange gr: Green bL: Blue Cy: Cyan yE: Yellow PU: Purple CL: White Default: OR
14	BRIGHT	Backlight brightness	Level 1~6 Default: 4
15	TOTSET	Time out timer	oF : 1~10Min Default: 1
16	EMG1	Priority channel 1	Select a channel (9)
17	EMG2	Priority channel 2	Select a channel (19)
18	RESET	Reset to factory preset	



3.13 Band Name Setting

- (1) Choose a band to be modified.
- (2) Long press **[EMG]** key to enter menu list.
- (3) Short press microphone **[UP]** or **[DN]** or **[▲]** or **[▼]** to choose BAND name function menu, LCD displays **BAND NAME**.
- (4) Short press **[EMG]** key, the first digit blinks on LCD.
- (5) Short press microphone **[UP]** or **[DN]** or **[▲]** or **[▼]** to choose the character of the first digit.
- (6) Short press **[EMG]** key to validate the first digit. The second digit blinks on LCD.
- (7) Short press microphone **[UP]** or **[DN]** or **[▲]** or **[▼]** to choose the character of the second digit.
- (8) Short press **[EMG]** key to validate the second digit and exit setting.
- (9) Long press **[EMG]** key or wait 10 seconds to store exit MENU.

3.14 Emergency Channel Setting

- (1) Long press **[EMG]** key to enter menu list.
- (2) Short press microphone **[UP]** or **[DN]** or **[▲]** or **[▼]** to choose EMG function menu, LCD displays **EMG1--09 on** or **EMG2--19 on**.
- (3) Short press **[EMG]** key, the character "on" or character "oF" blinks on LCD.
- (4) Short press microphone **[UP]** or **[DN]** or **[▲]** or **[▼]** to choose the emergency channel is valid.
[FF]: stands for turn off current emergency channel.
- (5) Short press **[EMG]** key, the band name blinks on LCD.
- (6) Short press microphone **[UP]** or **[DN]** or **[▲]** or **[▼]** to choose the frequency band.
- (7) Short press **[EMG]** key to validate the frequency band, and the channel blinks on LCD.
- (8) Short press microphone **[UP]** or **[DN]** or **[▲]** or **[▼]** to choose the channel.



- (9) Short press **[EMG]** key to validate the channel, and the mode blinks on LCD.
- (10) Short press microphone **[UP]** or **[DN]** or **[▲]** or **[▼]** to choose the mode AM or FM.
- (11) Short press **[EMG]** key to validate the mode and exit setting.
- (12) Long press **[EMG]** key or wait 10 seconds to store exit MENU.

3.15 Resume Factory Default

- (1) Long press **[EMG]** key to enter menu list.
- (2) Short press microphone **[UP]** or **[DN]** or **[▲]** or **[▼]** to choose reset function menu, LCD displays **RESET**.
- (3) Short press **[EMG]** key to enter menu selection, **RESET** flashes in the LCD.
- (4) Long press **[EMG]** key until LCD only displays **RESET**.
- (5) Release **[EMG]** key, the radio automatically reseted.



CTCSS/DCS codes

No.	Freq. (kHz)	No.	Freq. (kHz)	No.	Freq. (kHz)	No.	Freq. (kHz)
1	67.0	11	97.4	21	136.5	31	192.8
2	71.9	12	100.0	22	141.3	32	203.5
3	74.4	13	103.5	23	146.2	33	210.7
4	77.0	14	107.2	24	151.4	34	218.1
5	79.7	15	110.9	25	156.7	35	225.7
6	82.5	16	114.8	26	162.2	36	233.6
7	85.4	17	118.8	27	167.9	37	241.8
8	88.5	18	123.0	28	173.8	38	250.3
9	91.5	19	127.3	29	179.9		
10	94.8	20	131.8	30	186.2		

1	D023N	27	D152N	53	D311N	79	D466N
2	D025N	28	D155N	54	D315N	80	D503N
3	D026N	29	D156N	55	D325N	81	D506N
4	D031N	30	D162N	56	D331N	82	D516N
5	D032N	31	D165N	57	D332N	83	D523N
6	D036N	32	D172N	58	D343N	84	D526N
7	D043N	33	D174N	59	D346N	85	D532N
8	D047N	34	D205N	60	D351N	86	D546N
9	D051N	35	D212N	61	D356N	87	D565N
10	D053N	36	D223N	62	D364N	88	D606N
11	D054N	37	D225N	63	D365N	89	D612N
12	D065N	38	D226N	64	D371N	90	D624N
13	D071N	39	D243N	65	D411N	91	D627N
14	D072N	40	D244N	66	D412N	92	D631N
15	D073N	41	D245N	67	D413N	93	D632N
16	D074N	42	D246N	68	D423N	94	D654N
17	D114N	43	D247N	69	D431N	95	D662N
18	D115N	44	D252N	70	D432N	96	D664N
19	D116N	45	D255N	71	D445N	97	D703N
20	D122N	46	D261N	72	D446N	98	D712N
21	D125N	47	D263N	73	D452N	99	D723N
22	D131N	48	D265N	74	D454N	100	D731N
23	D132N	49	D266N	75	D455N	101	D732N
24	D134N	50	D271N	76	D462N	102	D734N
25	D143N	51	D274N	77	D464N	103	D743N
26	D145N	52	D306N	78	D465N	104	D754N

European Restrictions

PAYS	CB	RESTRICTIONS	REGLAGE		
			EC	EU	D
GERMANY	YES	80 ch - 4 W FM - free use 40 ch - 4 W AM - free use 40 ch - 4 W FM - free use	EC		EU
UK	YES	Cept 40 ch - 4 W FM + ENG 40 ch - 4 W FM - 40 ch 4 W AM-FM	EC	UK	EU
AUSTRIA	YES	40 ch - 4 W FM AM : Not authorized	EC		
BELGIUM	YES	40 ch - 4 W FM - free use 40 ch - 4 W AM - free use	EU	EC	
BULGARIA	YES	40 ch - 4 W FM - free use 40 ch - 4 W AM - free use	EC		EU
CYPRUS	YES	40 ch - 4 W FM - free use 40 ch - 4 W AM - free use	EU	EC	
CROATIA	YES	40 ch - 4 W FM - free use AM : Not authorized	EC		
DANEMARK	YES	40 ch - 4 W FM - free use 40 ch - 4 W AM - free use	EC		EU
SPAIN	YES	40 ch - 4 W FM - individual license required 40 ch - 4 W AM - individual license required 12 W pep BLU/SSB	E		EU
ESTONIA	YES	40 ch - 4 W FM - free use 40 ch - 4 W AM - free use		EU	EC
FINLAND	YES	40 ch - 4 W FM - free use 40 ch - 4 W AM - free use		EU	EC
FRANCE	YES	40 ch - 4 W FM - free use 40 ch - 4 W AM - free use		EU	EC
GREECE	YES	40 ch - 4 W FM - individual license required 40 ch - 4 W AM - individual license required		EU	E EC
HUNGARY	YES	40 ch - 4 W FM - free use AM : Not authorized		EC	
IRELAND	YES	40 ch - 4 W FM - free use 40 ch - 4 W AM - free use		EC	EU
ISLAND	YES	40 ch - 4 W FM - free use 40 ch - 4 W AM - free use		EC	EU
ITALY	YES	40 ch - 4 W FM - general autorisation required 40 ch - 4 W AM - general autorisation required 12 W pep BLU/SSB		E	EU
LATVIA	YES	40 ch - 4 W FM - free use 40 ch - 4 W AM - free use		EU	EC
LITHUANIA	YES	40 ch - 4 W FM - free use AM : Not authorized		EC	
LUXEMBOURG	YES	40 ch - 4 W FM - free use 40 ch - 4 W AM - free use		EC	EU





MALTA	YES	40 ch - 4 W FM - AM : Not authorized	EC		
NORWAY	YES	40 ch - 4 W FM - free use AM : Not authorized	EC		
NETHERLAND	YES	40 ch - 4 W FM - free use 40 ch - 4 W AM - free use	EU	EC	
POLAND	YES	40 ch - 4 W FM - free use		EC	
		40 ch - 4 W AM/FM - free use	PL		
		12 W pep BLU/SSB			
PORTUGAL	YES	40 ch - 4 W FM - free use		EC	
		40 ch - 4 W AM - free use	EU		
CZECH	YES	80 ch - 4 W FM - free use	EU		
ROMANIA	YES	40 ch - 4 W FM - free use		EC	
		40 ch - 4 W AM - free use	EU		
SLOVAKIA	YES	40 ch - 4 W FM - free use AM : Not authorized	EC		
SLOVENIA	YES	40 ch - 4 W FM - free use		EC	
		40 ch - 4 W AM - free use	EU		
SWEDEN	YES	40 ch - 4 W FM - free use		EC	
		40 ch - 4 W AM - free use	EU		
SWITZERLAND	YES	40 ch - 4 W FM - free use		EC	
		40 ch - 4 W AM - free use	EU		
LIECHTENSTEIN	YES	40 ch - 4 W FM - AM : Not authorized	EC		

4. SPECIFICATION



GENERAL		
Modulation Mode	AM/FM	
Frequency Range	26.965-27.405MHz	
Frequency Tolerance	± 5.0ppm	
Input Voltage	12/24V	
Dimensions	185x124x38mm	
Weight	620g	
Operating Temperature Range	-20°C to +50°C	
Current Drain	Transmit	3A MAX
	Receive	Squelched 0.3A
	VOL Max	0.7A
Antenna Connector	UHF, SO-239	
TRANSMITTER		
Power Output	4 Watts FM/AM	
Transmission interference	inferior to 4nW	
Frequency Response	300-3000Hz	
Modulated signal distortion	inferior to 5%	
Output Impedance	50 ohms	
RECEIVER		
Sensitivity	Less than 1uV for 10dB(S+N)/N	
Image Rejection	70dB	
Adjacent Channel Rejection	60dB	
IF Frequencies	1st 10.695MHz	
	2nd 455KHz	
Automatic Gain Control(AGC)	Less than 10dB change in audio	
	Output for inputs from 10 to 50000uV	
Squelch	less than 1uV	
Audio Output Power	2Watts at 8Ω less than 10% distortion	
Frequency Response	300-3000Hz	



FREQUENCIES TABLE

Channel	IN	D		EU	EC	PL	UK
	1-27 FM=4W AM=4W	1-40 FM=4W AM=4W	41-80 FM=4W	1-40 FM=4W AM=4W	1-40 FM=4W	1-40 FM=4W AM=4W	1-40 FM=4W
1	26.965	26.965	26.565	26.965	26.965	26.960	27.6013
2	26.975	26.975	26.575	26.975	26.975	26.970	27.6113
3	26.985	26.985	26.585	26.985	26.985	26.980	27.6213
4	27.005	27.005	26.595	27.005	27.005	27.000	27.6313
5	27.015	27.015	26.605	27.015	27.015	27.010	27.6413
6	27.025	27.025	26.615	27.025	27.025	27.020	27.6513
7	27.035	27.035	26.625	27.035	27.035	27.030	27.6613
8	27.055	27.055	26.635	27.055	27.055	27.050	27.6713
9	27.065	27.065	26.645	27.065	27.065	27.060	27.6813
10	27.075	27.075	26.655	27.075	27.075	27.070	27.6913
11	27.085	27.085	26.665	27.085	27.085	27.080	27.7013
12	27.105	27.105	26.675	27.105	27.105	27.100	27.7113
13	27.115	27.115	26.685	27.115	27.115	27.110	27.7213
14	27.125	27.125	26.695	27.125	27.125	27.120	27.7313
15	27.135	27.135	26.705	27.135	27.135	27.130	27.7413
16	27.155	27.155	26.715	27.155	27.155	27.150	27.7513
17	27.165	27.165	26.725	27.165	27.165	27.160	27.7613
18	27.175	27.175	26.735	27.175	27.175	27.170	27.7713
19	27.185	27.185	26.745	27.185	27.185	27.180	27.7813
20	27.205	27.205	26.755	27.205	27.205	27.200	27.7913
21	27.215	27.215	26.765	27.215	27.215	27.210	27.8013
22	27.225	27.225	26.775	27.225	27.225	27.220	27.8113
23	27.255	27.255	26.785	27.255	27.255	27.250	27.8213
24	27.235	27.235	26.795	27.235	27.235	27.230	27.8313
25	27.245	27.245	26.805	27.245	27.245	27.240	27.8413
26	27.265	27.265	26.815	27.265	27.265	27.260	27.8513
27	27.275	27.275	26.825	27.275	27.275	27.270	27.8613
28		27.285	26.835	27.285	27.285	27.280	27.8713
29		27.295	26.845	27.295	27.295	27.290	27.8813
30		27.305	26.855	27.305	27.305	27.300	27.8913
31		27.315	26.865	27.315	27.315	27.310	27.9013
32		27.325	26.875	27.325	27.325	27.320	27.9113
33		27.335	26.885	27.335	27.335	27.330	27.9213
34		27.345	26.895	27.345	27.345	27.340	27.9313
35		27.355	26.905	27.355	27.355	27.350	27.9413
36		27.365	26.915	27.365	27.365	27.360	27.9513
37		27.375	26.925	27.375	27.375	27.370	27.9613
38		27.385	26.935	27.385	27.385	27.380	27.9713
39		27.395	26.945	27.395	27.395	27.390	27.9813
40		27.405	26.955	27.405	27.405	27.400	27.9913

Supplied Accessories

Carefully unpack the Radio, and confirm the following items in addition to this manual:

- CB Radio
- Microphone
- Mobile installing bracket



- Hardware kits for radio



- Fuse



- Manual



- Microphone bracket

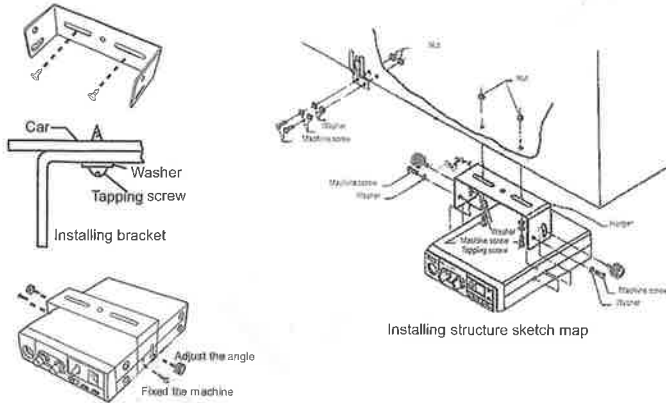




Mobile Installation

Safety and convenience are the primary consideration for mounting any piece of mobile equipment. All controls must be readily available to the operator without interfering with the movements necessary for safe operation of the vehicle. Be sure all cables are clear of the brake, clutch and accelerator. Also, thought must be given to the convenience and comfort of passengers.

Refer to the figures as follow:



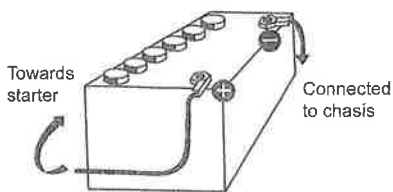
The transceiver may be installed in any position in your car, where the monitor and microphone are easily accessible and it does not interfere with the safe operation of the vehicle. If your vehicle is equipped with airbags, be certain your radio will not interfere with their extension. If you are not certain about where to install the unit, contact your vehicle's manufacturer.



- 19 -



WARNING: Never replace the original fuse (5A) by one of a different value.



BASIC OPERATIONS

- Connect the microphone
- Check the antenna connections
- Turn the set on by turning the volume knob clockwise
- Turn the squelch knob to minimum (Full-anti clockwise)
- Adjust the volume to a comfortable level
- Go to channel 20 EC by using either the [+1] or [-] key.

ADJUSTMENT OF SWR (standing wave ratio)

WARNING: This must be carried out when you use your CB radio for the first time (and whenever you reposition your antenna). The adjustment must be carried out in an obstacle-free area

* Adjustment should be operated with external SWR meter.

- To connect the SWR meter
Connect the SWR meter between the CB radio and the antenna as close as possible to the CB radio (use a maximum of 40cm cable)
- To adjust the SWR meter -Set the CB to channel 20 EC band in FM -put the switch on the SWR meter to position CAL or FWD -Press the <<Push-To-Talk>> switch on the microphone to transmit.
-Bring the index needle to ▼ by using the calibration key
-Change the switch to position SWR (reading of the SWR level) The reading on the meter should be as near as possible to 1. If this is not the case, re-adjust your antenna to obtain a reading as close as possible to 1. (An SWR reading between 1 and 1.8 is acceptable).



ANTENNA INSTALLATION

a) Choosing antenna:

-For CB radios, the longer the antenna, the better its results. Your dealer will help you with your choice of antenna.

b) Mobile antenna:

-Must be fixed to the vehicle where there is a maximum of metallic surface (ground plane), away from windscreen mountings.

-If you already have a radio-telephone antenna installed, the CB antenna should be higher than this.

-There are two types of antenna: Pre-regulated antenna which should be used on a good ground plane (e.g. car roof or lid of the boot), and adjustable antenna which offer a much larger frequency range and can be used on a smaller ground plane.

-For an antenna which must be fixed by drilling, you will need a good contact between the antenna and the ground plane. To obtain this, you should lightly scratch the surface where the screw and tightening star are to be placed.

-Be careful not to pinch or flatten the coaxial cable (as this runs the risk of break down and/or short circuiting).

-Connect the antenna to location (B).

c) Fixed antenna:

A fixed antenna should be installed in a space as spacious as possible. If it is necessary for you to fix the antenna to a mast, you need to keep it as per the requirements of the laws in force (please turn to professional advice).

POWER CONNECTION

The voltage has to be 13,8V or 24 V DC with negative grounding. Ensure that the positive (+, red) and negative (-, black) polarity is correct, before you connect the radio. The wiring has to be done by an authorized technician.

Connect the power cable directly with the battery. Do not use a cigarette lighter adapter because this kind of connectivity might not provide enough current for a proper operation of the radio. Pay special attention to the correct polarity, when connecting the cable into the battery.

CAUTION : please ensure proper polarity - check the fuse before first use of the radio.

Missed or defect fuses need to be replaced before operation of the radio.

- 20 -



CONDITIONS OF GUARANTEE

This transceiver **CRT SUPERSTAR** is guaranteed on 2 years.

Any abnormality of functioning must be indicated to your retailer, who will intervene or will send it to our technical service for control

The spare parts of our devices are the object of no sending under guarantee

Are excluded of the guarantee :

- the damages caused by accidents, shocks, natural elements (lightning, thunderstorm, static electricity etc.)
- The transistors of power, the microphones, the fuses, the bad uses, badly adjusted antenna (too excessive), inversion of polarity, surge, bad connection etc. recognized by our technical service
- The interventions having modified the standards of approval of the device

PROCEDURE ON RETURNING TO THE AFTER-SALES SERVICE CRT

- If you send back a radio under guarantee for repair : you pay the freight costs to go, CRT will pay the freight costs return. If the radio is not under guarantee postal charges are at your expense.

- each device must be sent accompanied with a photocopy of the invoice as well as with a descriptive note of the noticed defect

If our AFTER-SALES SERVICE estimates the repair more expensive than the value of the device, this one will send you an estimate which must have returned to him accepted or refused. If the estimate is refused, the device will have carriage forward returned.



DECLARATION OF CONFORMITY N° 200240



We hereby declare under our responsibility that the product :

Brand : CRT
Model : ALPHA
Description : Mobile transceiver

Satisfies all the technical regulations applicable to the product within the scope of directive RED 2014/53/EU european standards

EN 62368-1 :2014+A11 :2017
EN 301 489-1 V2.2.1
EN 301 489-13 V1.2.1
EN 300 433 V2.1.1
EN 62311 :2008

C.R.T. France INTERNATIONAL S.A.S.
Route de Pagny – 21250 SEURRE – France
Capital de 1 000 000 euros
Tél. 03 80 26 91 91 – Fax : 03 80 26 91 00
E-mail : superstar@crtfrance.com
Web site : www.crtfrance.com



RoHS

M. CELESTRANO F.
Président
Le 19.08.2019